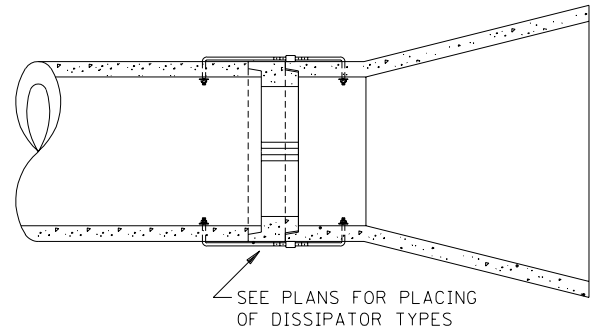
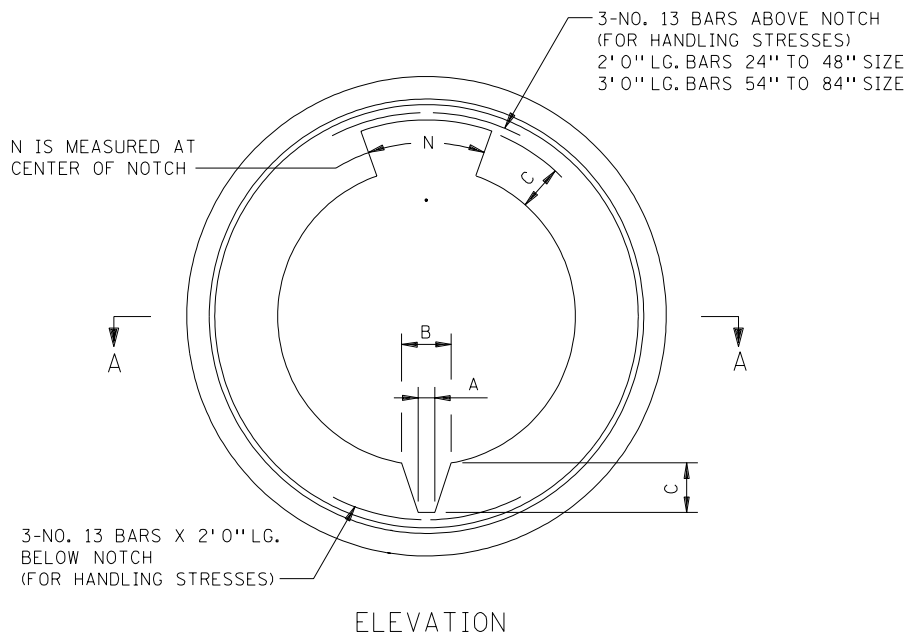


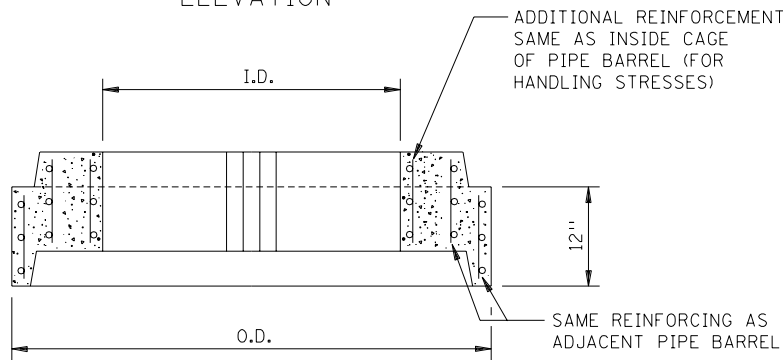
JOINT DETAIL



SECTION THRU PIPE ASSEMBLY



ELEVATION



SECTION A-A

TYPE-1 TABLE							
SIZE	I.D.	O.D.	A	B	C	N	WEIGHT LBS.
24	21"	30"	1"	3"	1-1/2"	7"	375
30	24"	37"	1"	3"	3"	9"	645
36	30"	44"	1"	3"	3"	10"	845
42	36"	51"	2"	6"	3"	12"	1055
48	42"	58"	2"	6"	3"	14"	1300
54	42"	65"	2"	6"	6"	16"	1990
60	48"	72"	3"	9"	6"	18"	2320
66	54"	79"	3"	9"	6"	20"	2685
72	60"	86"	3"	9"	6"	22"	3225
78	66"	93"	3"	9"	6"	24"	3475
84	72"	100"	3"	9"	6"	24"	3750

TYPE-2 TABLE							
SIZE	I.D.	O.D.	A	B	C	N	WEIGHT LBS.
24	18"	30"	1"	3"	3"	7"	470
30	18"	37"	1"	3"	6"	9"	850
36	24"	44"	1"	3"	6"	10"	1100
42	30"	51"	2"	6"	6"	12"	1370
48	36"	58"	2"	6"	6"	14"	1670
54	30"	65"	2"	6"	12"	16"	2670
60	36"	72"	3"	9"	12"	18"	3105
66	42"	79"	3"	9"	12"	20"	3590
72	48"	86"	3"	9"	12"	22"	4090
78	54"	93"	3"	9"	12"	24"	4615
84	60"	100"	3"	9"	12"	24"	4855

NOTE:

ALL REBARS ARE IN METRIC DESIGNATIONS

APPROVED November 2, 1992
B.M. Hill
 DIRECTOR
 OFFICE OF TECHNICAL SUPPORT

STATE OF MINNESOTA
 DEPARTMENT OF TRANSPORTATION
 REINFORCED CONCRETE PIPE
 ENERGY DISSIPATOR

SPECIFICATION
 REFERENCE
 2501, 2503
 REVISED
 2-16-2000 A.K.J.

STANDARD
 PLATE
 NO.
 5010A