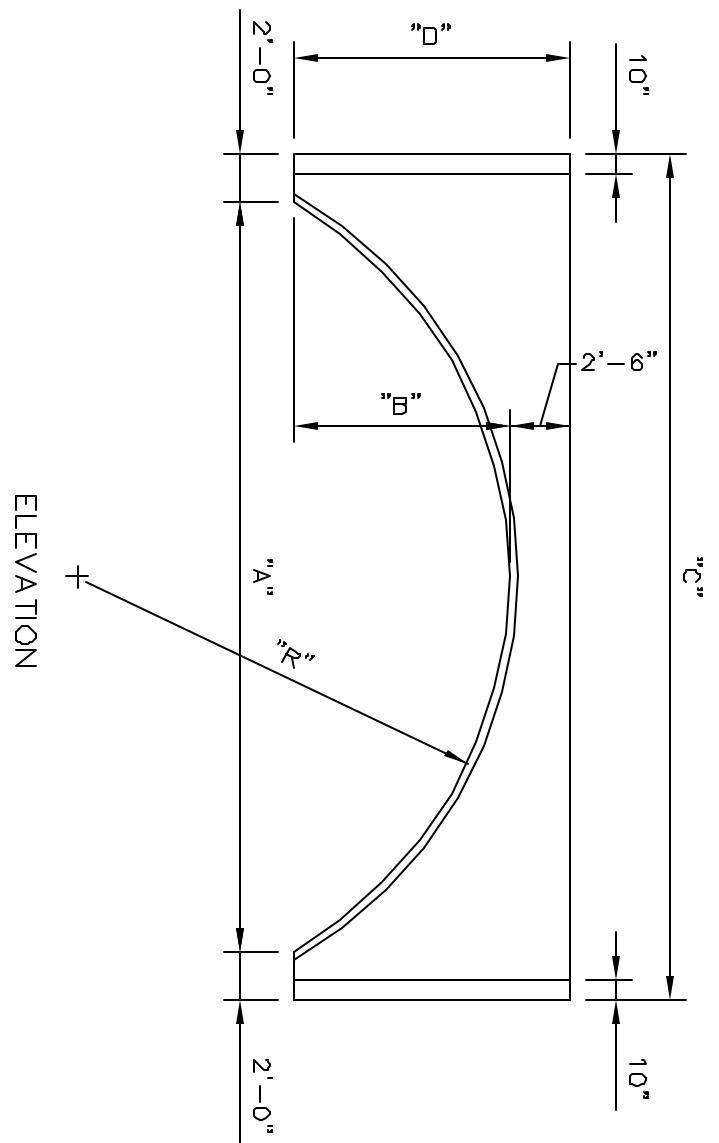


PLAN VIEW



ELEVATION

ARCH		A	B	C	D	R	WEIGHT LBS.
SPAN	RISE						
24'-0"	8'-0"	23'-2 13/16"	7'-2"	27'-2 13/16"	9'-8"	13'-0"	20,290
25'-4"	10'-0"	24'-11 5/16"	9'-4"	28'-11 5/16"	11'-10"	13'-0"	24,040
32'-3"	10'-0"	31'-2 1/8"	9'-0"	35'-2 1/8"	11'-6"	18'-0"	29,210
34'-5"	12'-8"	33'-9 7/8"	11'-10"	37'-9 7/8"	14'-4"	18'-0"	35,610
40'-3"	10'-6"	38'-8 15/16"	9'-6"	42'-8 15/16"	12'-0"	24'-6"	36,870
43'-11"	13'-8"	41'-11 5/16"	11'-10"	45'-11 5/16"	*14'-4"	24'-6"	44,060

* REQUIRES 12" PEDESTAL ABOVE TOP OF ARCH FOOTING

HEADWALL DETAILS FOR
PRECAST CONCRETE ARCH