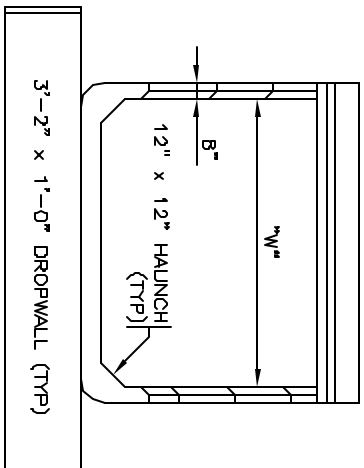


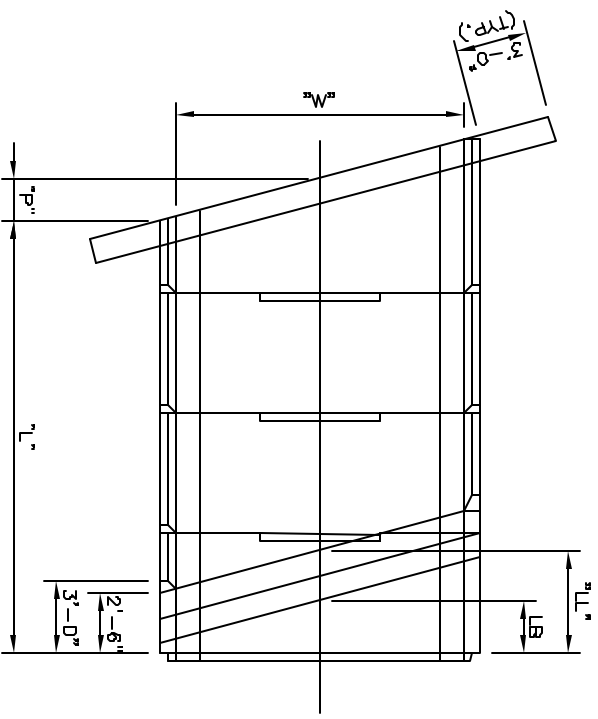
LENGTH "L"			
HEIGHTS H (FT)	15 DEG. SKEW	30 DEG. SKEW	45 DEG. SKEW
4	7'-1 3/4"	7'-7 3/8"	8'-7 7/8"
5	9'-2 1/2"	9'-11 1/8"	11'-5 7/8"
6	11'-3 3/8"	12'-2 7/8"	14'-3 3/4"
7	13'-4 1/4"	14'-6 5/8"	17'-1 3/4"
8	15'-5 1/8"	16'-10 1/4"	19'-11 5/8"
9	17'-5 7/8"	19'-2"	22'-9 5/8"
10	19'-6 3/4"	21'-5 3/4"	25'-7 1/2"
11	21'-7 5/8"	23'-9 3/8"	28'-5 1/2"
12	23'-8 1/2"	26'-1 1/8"	31'-3 3/8"
13	25'-9 1/4"	28'-4 7/8"	34'-1 3/8"
14	27'-10 1/8"	30'-8 1/2"	36'-11 1/4"

LENGTH "P"			
WIDTHS W (FT)	15 DEG. SKEW	30 DEG. SKEW	45 DEG. SKEW
8	0'-11 3/4"	2'-1 3/8"	3'-8"
8	1'-3"	2'-8 3/8"	4'-8"
10	1'-6 1/4"	3'-3 1/4"	5'-8"
12	1'-9 3/8"	3'-10 1/4"	6'-8"
14	2'-0 5/8"	4'-5 1/8"	7'-8"

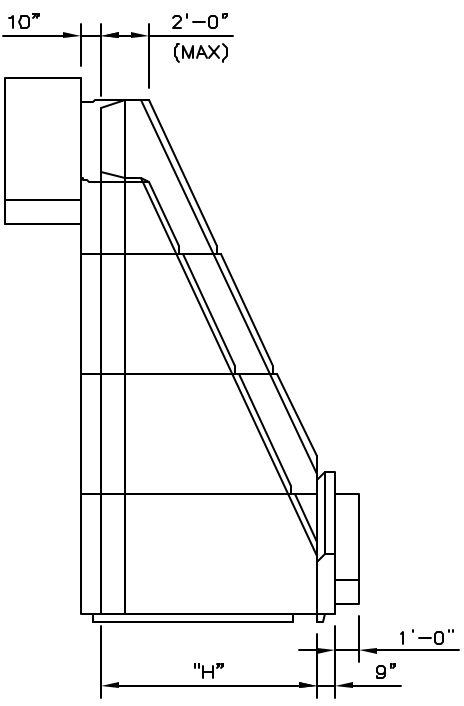


END ELEVATION

LENGTH "LB"			
WIDTHS W (FT)	15 DEG. SKEW	30 DEG. SKEW	45 DEG. SKEW
6	1'-4 7/8"	2'-3 5/8"	3'-4 1/16"
8	1'-8 1/8"	2'-10 5/8"	4'-4 1/16"
10	1'-11 3/8"	3'-5 1/2"	5'-4 1/16"
12	2'-2 1/2"	4'-0 1/2"	6'-4 1/16"
14	2'-5 3/4"	4'-7 3/8"	7'-4 1/16"



PLAN VIEW



SIDE ELEVATION

LENGTH "LL"			
WIDTHS W (FT)	15 DEG. SKEW	30 DEG. SKEW	45 DEG. SKEW
6	3'-5 3/4"	4'-7 3/8"	6'-2"
8	3'-9"	5'-2 3/8"	7'-2"
10	4'-0 1/4"	5'-9 1/4"	8'-2"
12	4'-3 3/8"	6'-4 1/4"	9'-2"
14	4'-6 5/8"	6'-11 1/8"	10'-2"

PRECAST CONCRETE END SECTIONS

TYPE III - SKEWED